

# MSD INSTALLATION INSTRUCTIONS

## MSD Pro-Billet Digital E-Curve Distributor Chrysler, 318, 340, 360 PN 8504 - U.S. Patent 6820602

**ONLINE PRODUCT REGISTRATION:** Register your MSD product online and you'll be entered in our monthly 8.5mm Super Conductor Spark Plug Wire give-away! Registering your product will help if there is ever a warranty issue with your product and helps the MSD R&D team create new products that you ask for! Go to [www.msperformance.com/registration](http://www.msperformance.com/registration).

**Important:** Read these instructions before attempting the installation.

### Parts Included:

1 - Digital E-Curve Distributor	2 - 1.5" Self Tapping Screws
1 - Rotor, PN 8467	1 - 3-Pin Harness
1 - Distributor Cap, PN 8433	1 - O-Ring
1 - Wire Retainer	1 - Timing Tape Set, PN 8985

**WARNING:** Before installing the MSD Digital E-Curve Distributor, disconnect the battery cables. When disconnecting the battery cables, always remove the Negative (-) cable first and install it last.

**Note:** The terminals of this Digital E-Curve Distributor require spark plug style terminals. You may need to change the terminals and boots of your wires. MSD offers two kits, PN 8849 or PN 8848 that are supplied with nine boots and terminals.

## DIGITAL E-CURVE FUNCTIONS

### RPM LIMIT

This distributor is equipped with an adjustable rev limiter. It is adjustable from 5,000 - 10,000 rpm by a rotary dial under the cap and rotor (Figure 1). The rpm will not exceed your selected amount to protect the engine from overrev damage.

### TIMING FUNCTIONS

**Electronic Advance Curve Operation:** The Electronic Advance Curve is managed by a microprocessor built into the ignition module. You can program an electronic timing advance curve by adjusting two rotary switches under the distributor cap (Figure 1). A magnetic pickup is used as a trigger device that tells the ignition module when to fire the coil. The pickup is triggered by a reluctor mounted to the distributor shaft. This means that you have to set the distributor at the highest, or Total, amount of advance that you want to achieve (including vacuum advance) and compensate with one of the selectable ignition curves (shown on page 4). Following are important definitions that will be used to set up your timing.

**Electronic Centrifugal Advance:** Since this distributor is all electronic, there really is no mechanical or centrifugal advance. On a standard distributor, this advance would be called centrifugal so it will be referred to as the electronic centrifugal advance. The chart on page 4 shows all of the different combinations you can achieve by simply turning the two rotary dials located under the distributor cap.

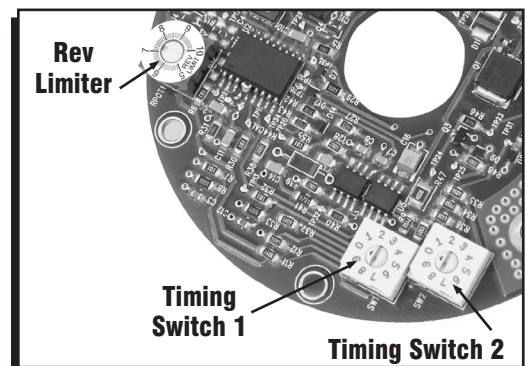


Figure 1 Rotary Dial Adjustments.

**Note:** It is recommended to have a dial-back timing light, timing tape or a fully degreed balancer to set the timing correctly.

## **CHOOSING AN ADVANCE CURVE**

The function of the advance curve is to match the ignition timing to the burning rate of the fuel with the speed (rpm) of the engine. The piston is traveling much faster through the combustion stroke at 5,000 rpm compared to 1,000 rpm. Any factor that changes the burning rate of the fuel or the engine speed can cause a need for an ignition timing change. Figure 2 shows some of the factors that will affect engine timing.

<b>FACTOR</b>	<b>Advance Timing For</b>	<b>Retard Timing For</b>
Cylinder Pressure	Low	High
Vacuum	High	Low
Energy of Ignition	Low	High
Fuel Octane	High	Low
Mixture (Air/Fuel)	Rich	Lean
Temperature	Cool	Hot
Combustion Chamber Shape	Open	Compact
Spark Plug Location	Offset	Center
Combustion Turbulence	Low	High
Load	Light	Heavy

**Figure 2 Ignition Timing Factors.**

As you can see from the chart, most factors will change throughout the range of the engine operation. The Digital E-Curve allows you to make timing changes based on these factors.

**Example:** An engine has 11:1 compression, a high energy ignition and turns 5,500 rpm. With the specifications given, you will have to retard the timing for the high compression and high energy ignition. By comparing the engine's specifications against the chart, a usable timing guideline can be found. Engines with a combination of items from both columns will require a timing that is set in the mid range.

Obviously a full technical explanation of correct ignition timing would be very complicated. The best way to arrive at a suitable ignition curve for your engine is to use the Ignition Timing Factors Chart as a guide and compare it to the Advance Graphs in Figure 3 until a suitable curve is found. When selecting your advance curve, use detonation (engine ping) as an indicator of too much advance, and a decrease in power as an indicator of too little advance. Also consider how the engine cranks and starts. Too much advance can cause an engine to crank slow or even kick back. Here are a couple of suggestions.

- Use as much initial advance as possible without encountering excessive starter load.
- Start the electrical advance just above the idle rpm.
- Select an advance curve that produces good acceleration without detonation.

**Total Timing:** This is the total amount of timing that the engine will achieve. This is the amount that all of the electronic curve and settings will be based from. This setting also includes any amount of vacuum advance that you plan to use.

**Vacuum Advance:** The vacuum advance will advance the timing under part throttle conditions when the engine is not under a heavy load. This advance is added on to the electronic timing curve as well. The advance will begin as low as 4-in. of vacuum and will max out at 10-in. of vacuum. There is a separate chart in Figure 3 that illustrates the vacuum curve selection.

**Locked-Out Timing:** If you do not want to have a timing advance, set the rotary dials in the Locked-Out position. This means the timing will not move from the setting you position the distributor in. You may however, take advantage of a start retard (see below).

**Start Retard:** When you select Locked-Out timing, the engine may be hard to crank. A start retard amount can be selected to aid in cranking. This amount can range from 5°, 10°, 15° and 20°. When the engine is cranking, the timing will be retarded. Once the engine reaches 600 rpm, the timing will return to the locked-out setting.

**Note:** The total amount of any timing change that can be achieved is 34° (25° for the electronic advance with vacuum an additional 9°). This includes the electronic advance as well as the vacuum advance.

## **SETTING UP THE DISTRIBUTOR**

Rotate the engine to TDC then to 12° - 15° BTDC. With the rotary switches set to "1" and "7" (These settings will be used to start the engine and adjusted later.) install the distributor with the rotor pointing to the number 1 spark plug wire and start the engine.

With the engine running and a timing light connected, adjust the timing to the desired Total Timing. (Example 32° without vacuum advance) Once you've set the total timing, turn the engine off and remove the distributor cap. Set the rotary dials to achieve the desired timing curve (Figure 3 and 4).

For example with total timing set at 32° and the rotary dials set to "2" and "9". The engine will idle at 12°, timing will start to advance at 1,100 rpm and will be fully advanced by 3,500 rpm, plus a 15° vacuum advance at 10 in-Hg (inches of vacuum).

If your balancer does not have any timing marks, MSD offers timing tape kit PN 8985.

ELECTRONIC 'CENTRIFUGAL' ADVANCE CURVES

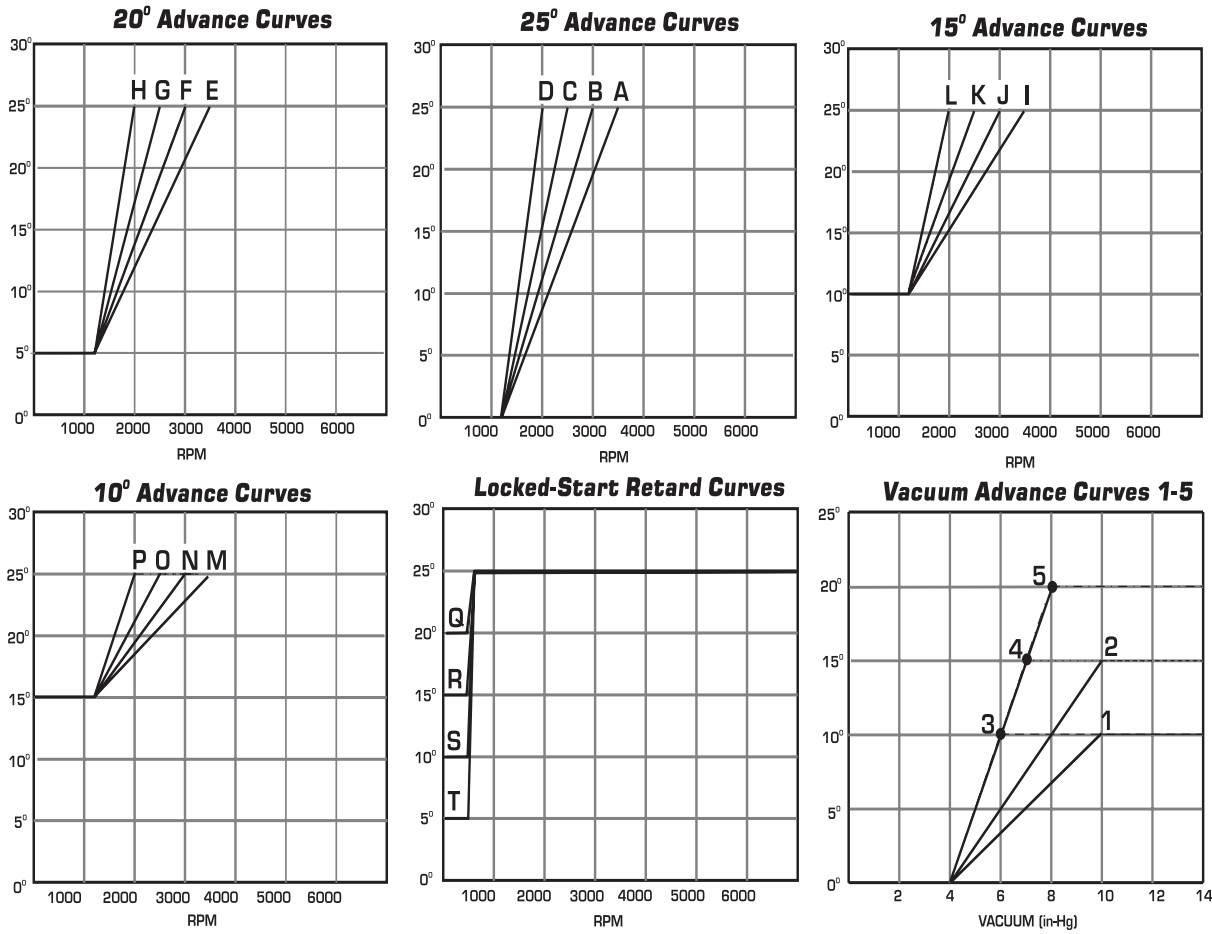


Figure 3 Available Timing Curves.

ELECTRONIC 'MECHANICAL' ADVANCE CURVE

		A	B	C	D	E	F	G	H	I	J	K	L	M	N	O	P	Q	R	S	T
VACUUM ADVANCE	Switch	1 2	1 2	1 2	1 2	1 2	1 2	1 2	1 2	1 2	1 2	1 2	1 2	1 2	1 2	1 2	1 2	1 2	1 2	1 2	1 2
	1	0 1	0 2	0 3	0 4	0 5	0 6	0 7	0 8	0 9	1 0	1 1	1 2	1 3	1 4	1 5	1 6	1 7	1 8	1 9	2 0
	2	2 1	2 2	2 3	2 4	2 5	2 6	2 7	2 8	2 9	3 0	3 1	3 2	3 3	3 4	3 5	3 6	3 7	3 8	3 9	4 0
	3	4 1	4 2	4 3	4 4	4 5	4 6	4 7	4 8	4 9	5 0	5 1	5 2	5 3	5 4	5 5	5 6	5 7	5 8	5 9	6 0
	4	6 1	6 2	6 3	6 4	6 5	6 6	6 7	6 8	6 9	7 0	7 1	7 2	7 3	7 4	7 5	7 6	7 7	7 8	7 9	8 0
	5	8 1	8 2	8 3	8 4	8 5	8 6	8 7	8 8	8 9	9 0	9 1	9 2	9 3	9 4	9 5	9 6	9 7	9 8	9 9	0 0

Figure 4 Advance Curve Switch Position.

## INSTALLING THE DISTRIBUTOR

**Note:** When installing the distributor for the first time, it is recommended to place the switches in the locked-out timing position. This will assist you in setting the timing curve by ensuring that the total timing is correct.

1. Remove the existing distributor cap without disconnecting any of the spark plug wires.

2. With the cap off, crank the engine until the rotor is aimed at a fixed point on the engine or firewall. Note this position by making a mark (Figure 5).

3. Place the distributor cap back on and note which plug wire the rotor is pointing to. MARK THE SPARK PLUG WIRES and remove the distributor cap.

4. Disconnect the wiring from the distributor.  
5. Loosen the distributor hold down clamp and slide the clamp out of the way.

6. Lift the distributor out of the engine.

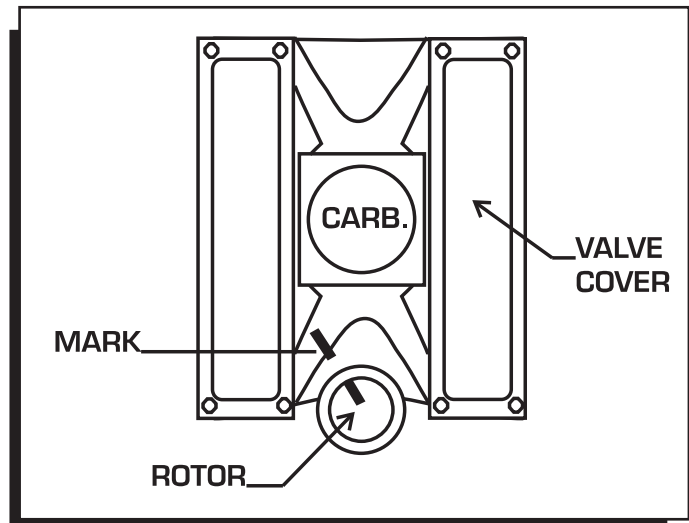
7. Install the O-ring to the distributor housing. Apply a film of clean oil to the O-ring.

8. Install the distributor making sure that the rotor comes to rest pointing at the fixed mark. If the distributor will not fully seat with the rotor pointing to the marked position, you may need to rotate the oil pump shaft until the rotor lines up and the distributor fully seats.

9. Position and tighten the hold down clamp onto the distributor.

10. Install the distributor cap and spark plug wires one at a time to ensure correct location. A wire retainer is supplied to secure the wires in place. Align the mounting bosses and use the supplied 1.5" self-tapping Phillips screws to hold the retainer in place.

11. Proceed to wiring the distributor as shown in Figures 6 and 7. Review the starting and tuning tips information and install the Timing Tape as shown on page 7 before starting the engine.



**Figure 5 Marking the Rotor Location.**

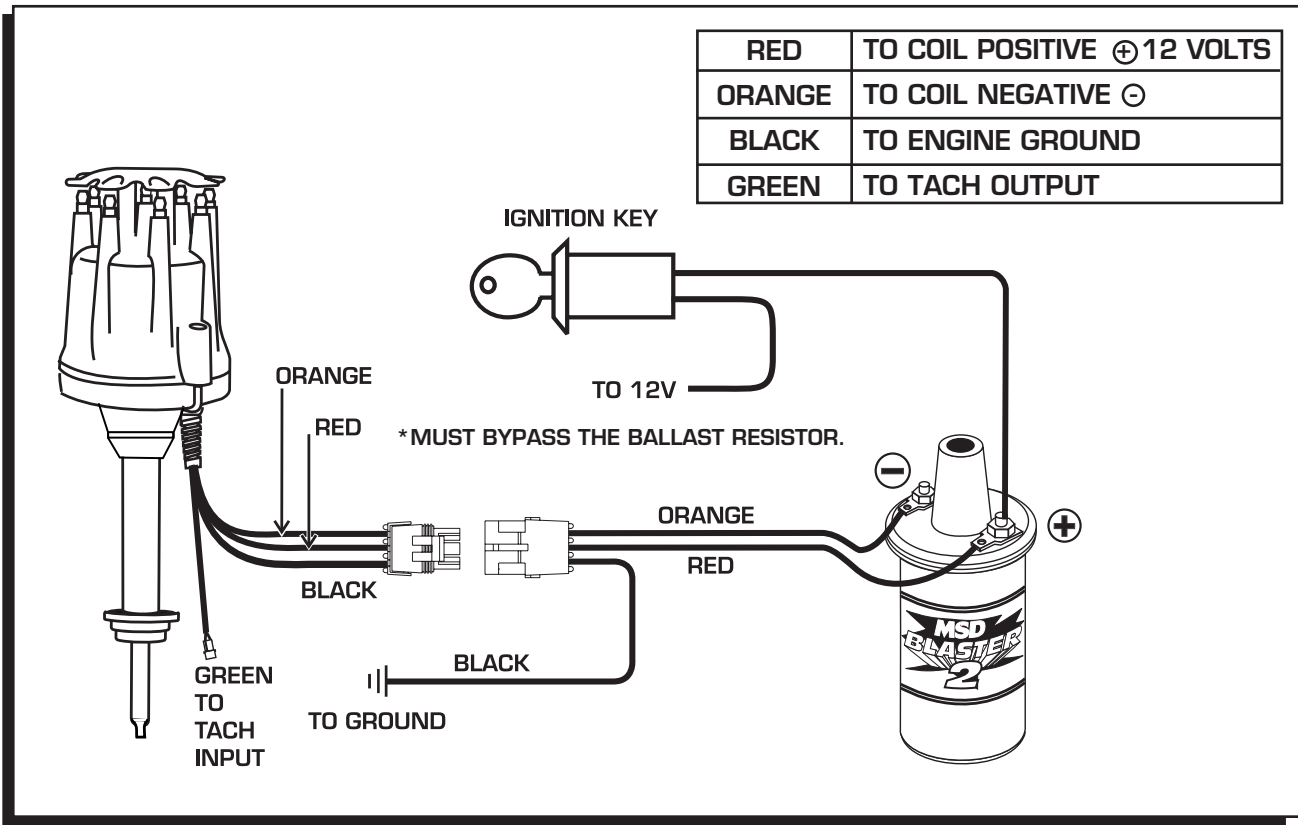


Figure 6 Wiring the Ready-to-Run Chevrolet Distributor.

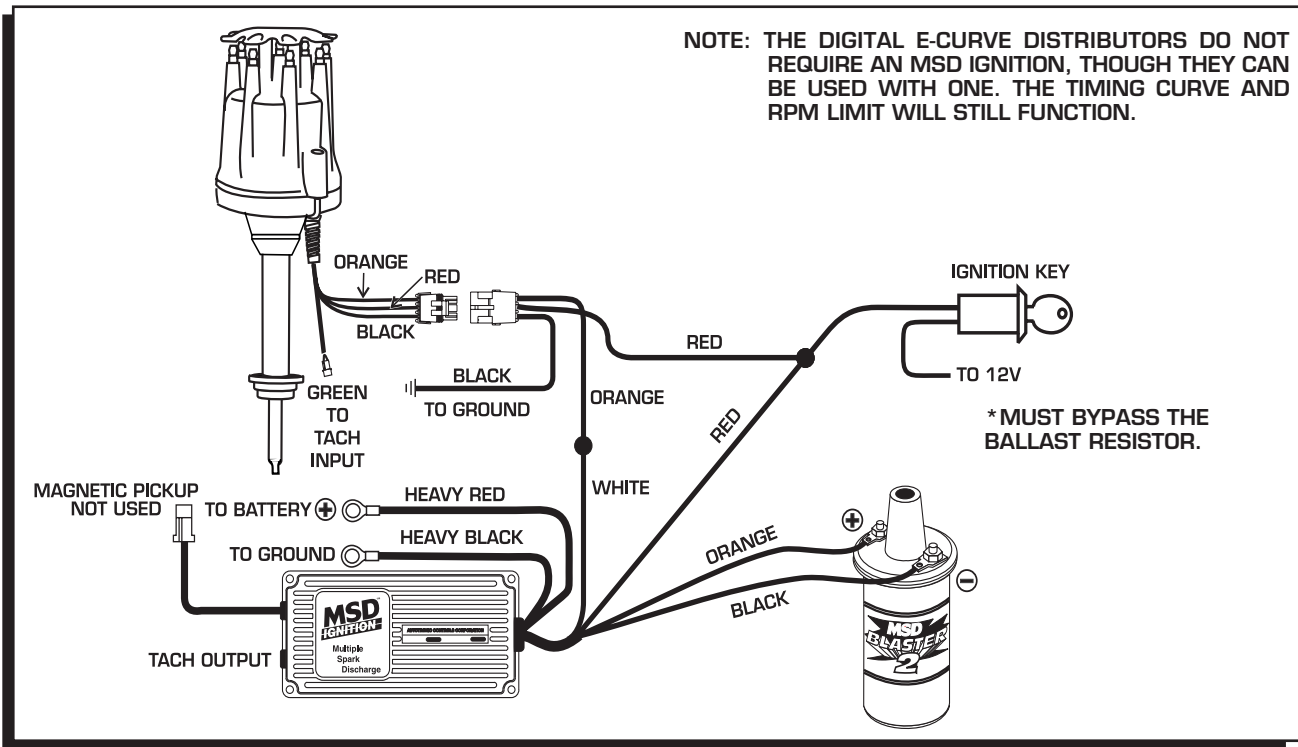


Figure 7 Connecting an MSD Ignition Control to the Digital E-Curve Distributor.

## INSTALLING THE TIMING TAPE

1. Locate the top-dead center or 0° mark on the harmonic balancer or timing wheel.
2. Select the correct timing tape for your application. Make sure you know the correct size of the harmonic balancer or timing wheel you're using. If this is not known, measure the diameter of the harmonic balancer or timing wheel's edge and note the size.
3. Choose the timing tape that matches your balancer's diameter. Be sure that the mating surface is clean of any dirt, grease or debris. Locate and note the 0° mark on the timing tape (Figure 8).
4. Align the 0° mark on the tape with the TDC mark on the balancer. Make sure that the markings on the tape are facing you, and place the tape on the surface. Use firm pressure for proper adhesion. ATC (after top-dead center) will be to the left of the stock mark, and BTC (before top-dead center) will always be to the right of the stock mark.

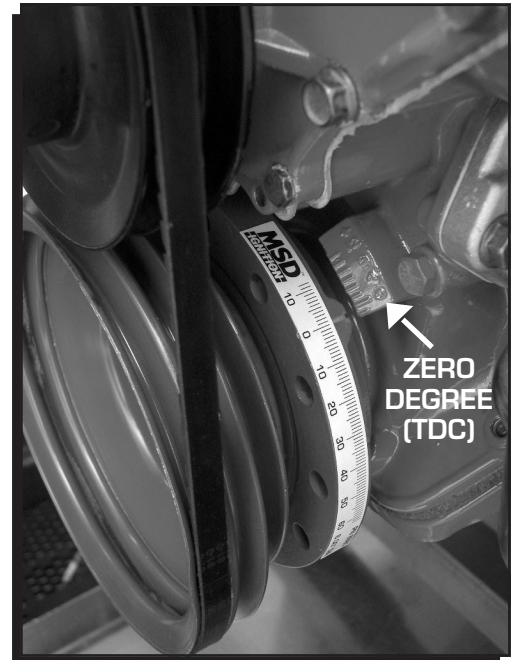


Figure 8 The Timing Tape Installed.

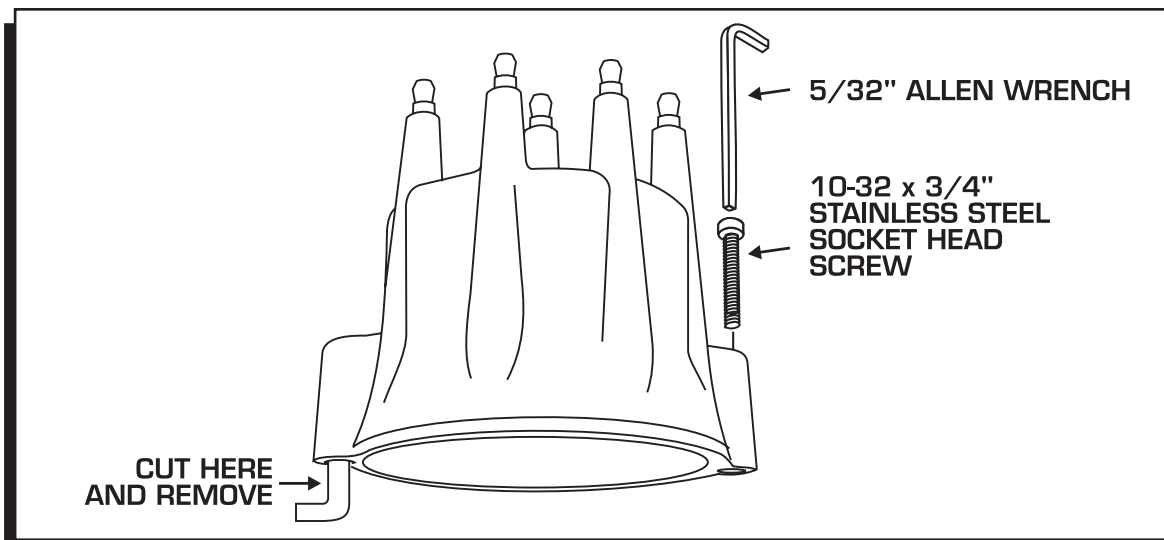
## STARTING AND TUNING TIPS

- Position the rev limiter rotary dial at your desired rpm limit.
- At this point, the distributor should be installed at your desired timing and wired to the coil, and ground.
- It is recommended that you have a dial-back timing light or degreed balancer. MSD offers a timing tape that you can apply to your balancer as PN 8985.
- Select a Locked-Out with Start Retard to start the engine (These are Curves Q, R, S or T). This way you can position the distributor to obtain your ideal total timing before selecting a timing curve.
- If you are going to use a vacuum advance curve, use a 3/16" vacuum line connected to ported vacuum. This means a vacuum source that is above the throttle plates. Also, remember to disconnect and plug the vacuum line when setting the timing curve.

# MSD INSTALLATION INSTRUCTIONS

**Installation Option:** This Cap can also be bolted down to an MSD Pro-Billet or Billet Distributor base with the supplied hardware. To accomplish this, the spring clips must be cut off (Figure 9).

**Note:** When the cap is bolted down, the location of the spark plug wires must be changed.



**Figure 9 Optional Installation by Bolting the Cap Down.**

## Service

In case of malfunction, this MSD component will be repaired free of charge according to the terms of the warranty. When returning MSD components for warranty service, **Proof of Purchase** must be supplied for verification. After the warranty period has expired, repair service is based on a minimum and maximum fee.

**All returns must have a Return Material Authorization (RMA) number** issued to them before being returned. To obtain an RMA number please contact MSD Customer Service at 1 (888) MSD-7859 or visit our website at [www.msdpower.com/rma](http://www.msdpower.com/rma) to automatically obtain a number and shipping information.

When returning the unit for repair, leave all wires at the length in which you have them installed. Be sure to include a detailed account of any problems experienced, and what components and accessories are installed on the vehicle. The repaired unit will be returned as soon as possible using Ground shipping methods (ground shipping is covered by warranty). For more information, call MSD at (915) 855-7123. MSD technicians are available from 7:00 a.m. to 5:00 p.m. Monday - Friday (mountain time).

## Limited Warranty

MSD warrants this product to be free from defects in material and workmanship under its intended normal use\*, when properly installed and purchased from an authorized MSD dealer, for a period of one year from the date of the original purchase. This warranty is void for any products purchased through auction websites. If found to be defective as mentioned above, it will be repaired or replaced at the option of MSD. Any item that is covered under this warranty will be returned free of charge using Ground shipping methods.

This shall constitute the sole remedy of the purchaser and the sole liability of MSD. To the extent permitted by law, the foregoing is exclusive and in lieu of all other warranties or representation whether expressed or implied, including any implied warranty of merchantability or fitness. In no event shall MSD or its suppliers be liable for special or consequential damages.

\*Intended normal use means that this item is being used as was originally intended and for the original application as sold by MSD. Any modifications to this item or if it is used on an application other than what MSD markets the product, the warranty will be void. It is the sole responsibility of the customer to determine that this item will work for the application they are intending. MSD will accept no liability for custom applications.